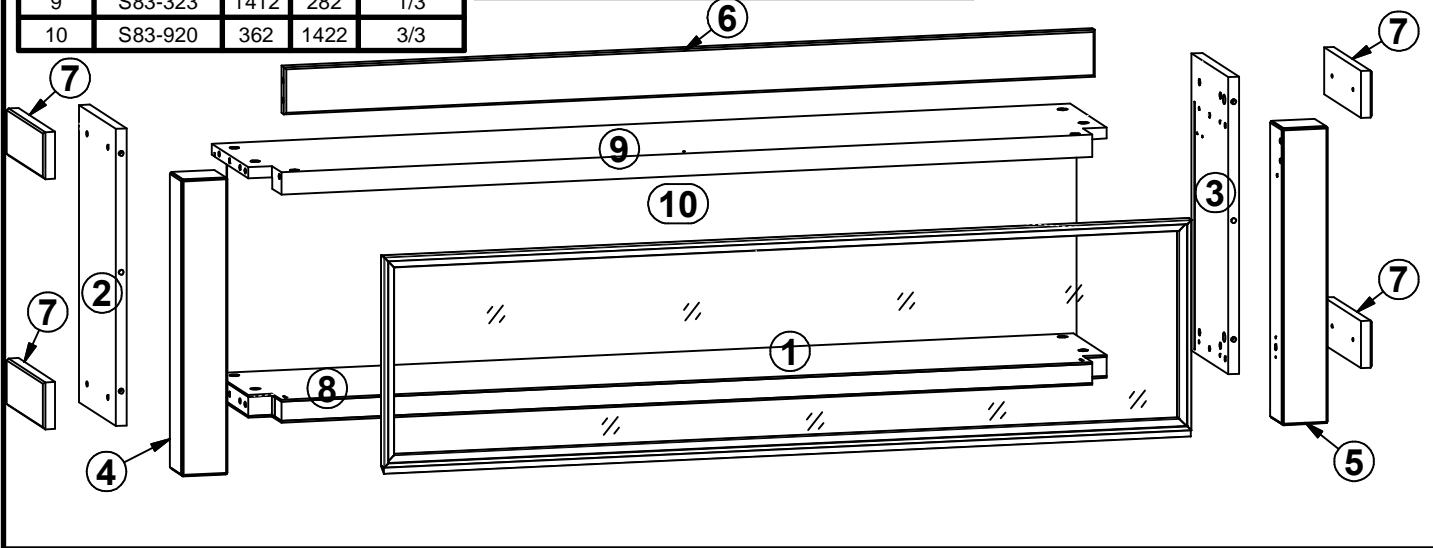
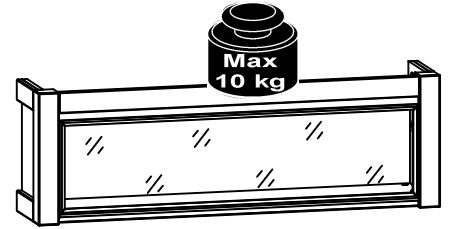
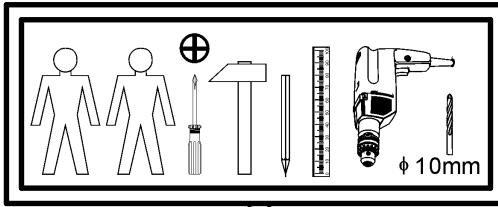
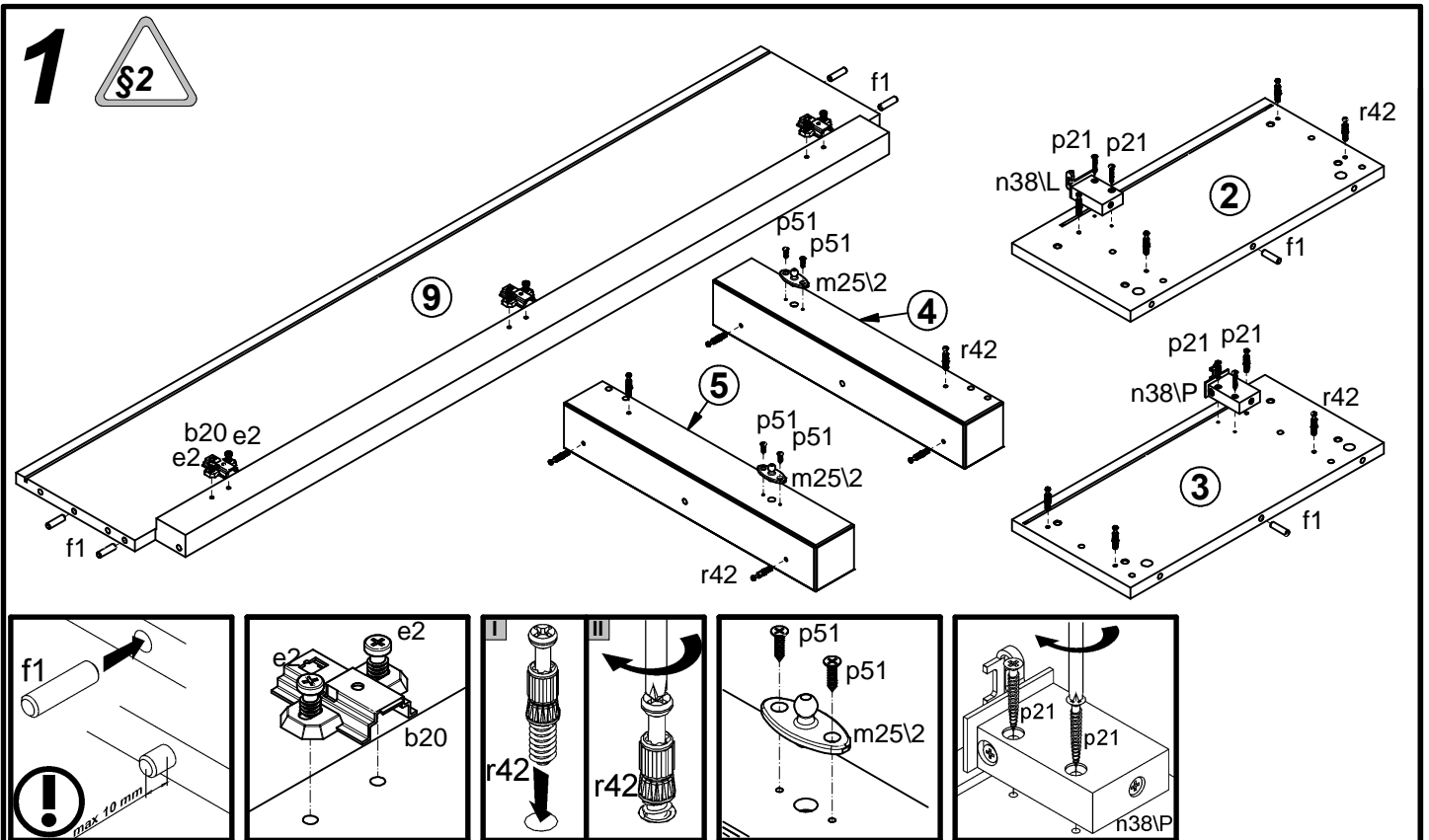
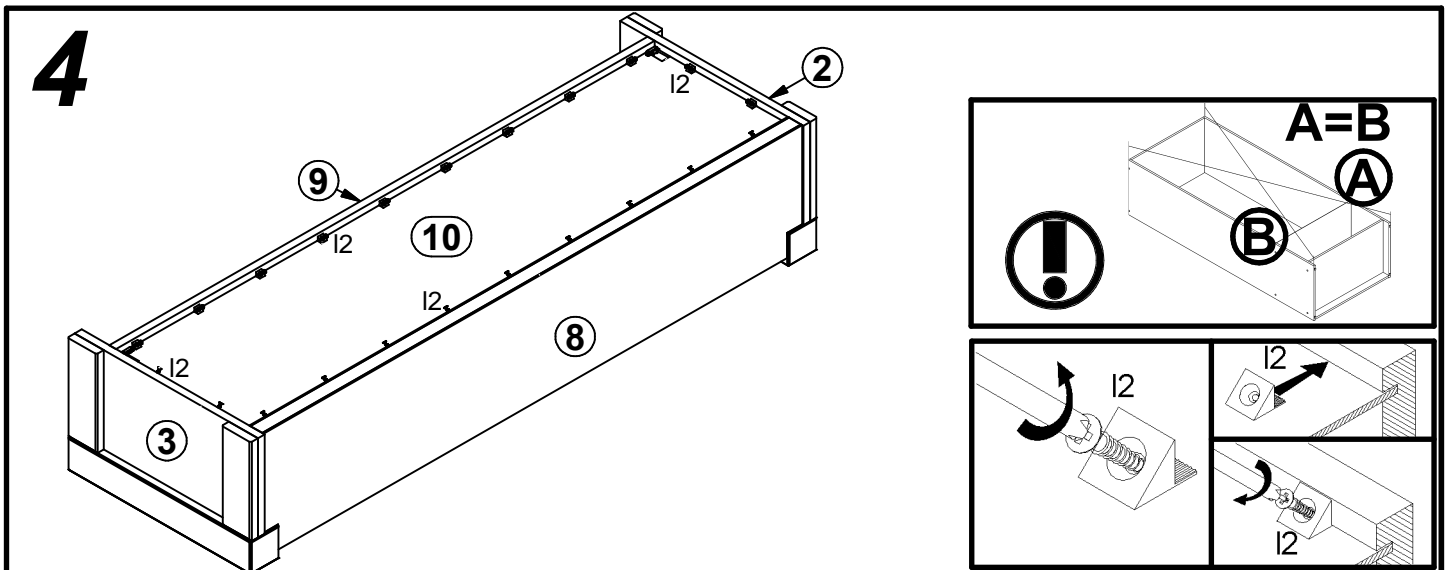
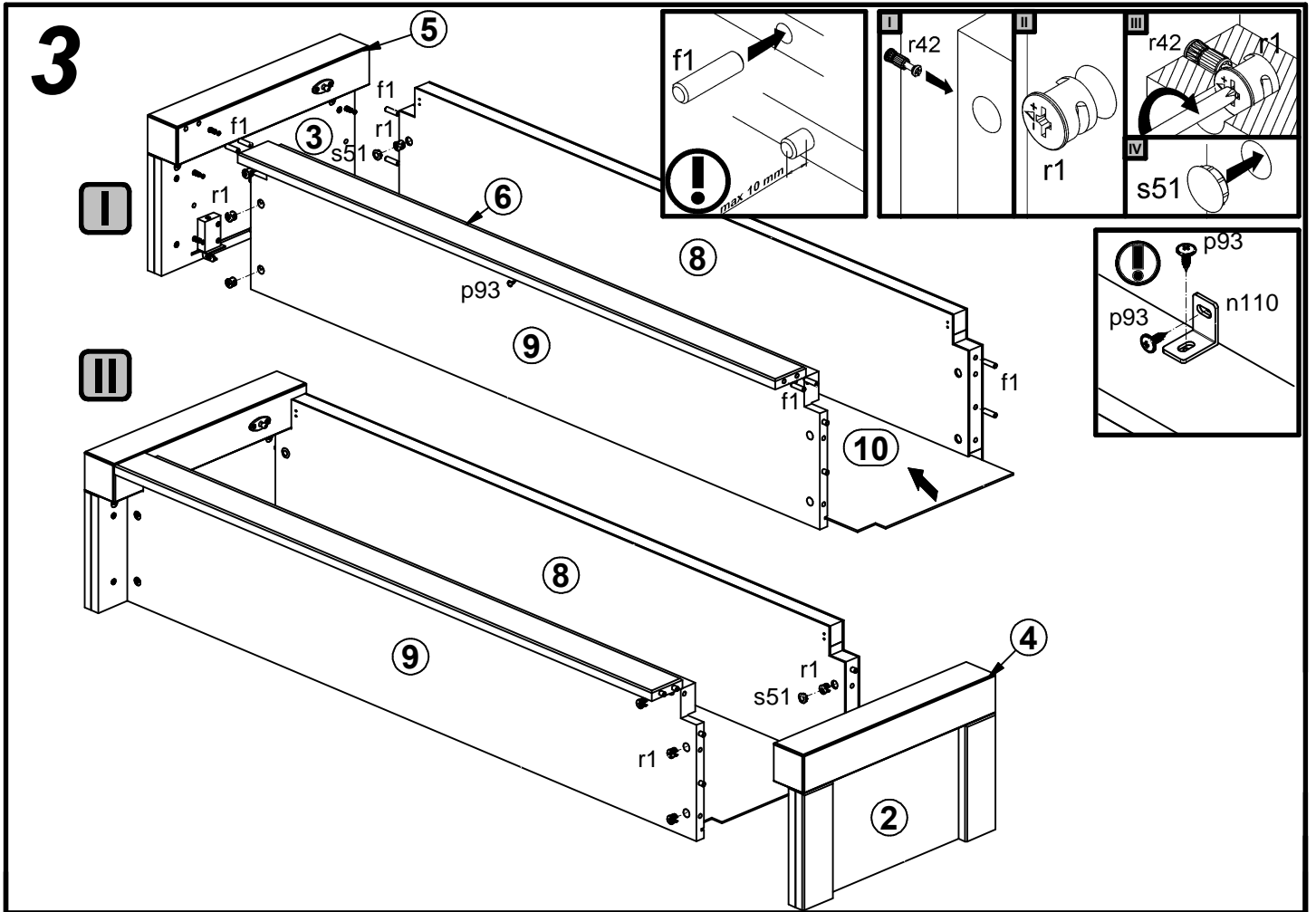
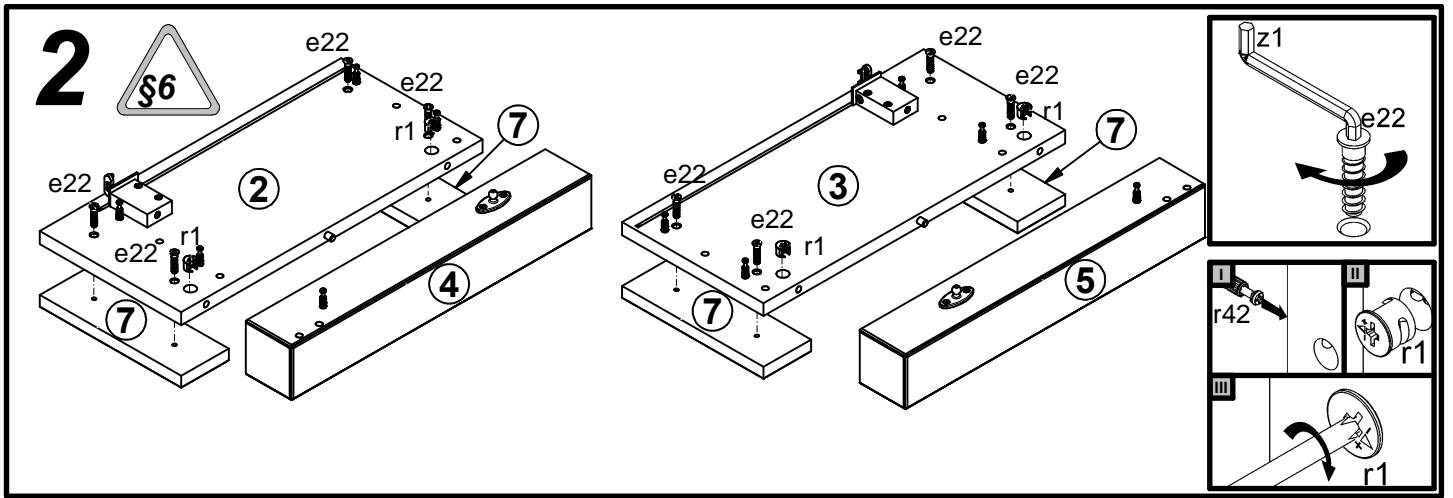


A	B	C	D	
1	S83-057	1328	350	3/3
2	S83-142	480	225	1/3
3	S83-143	480	225	1/3
4	S83-1579	480	76	2/3
5	S83-1580	480	76	2/3
6	S83-1581	1334	76	2/3
7	S83-1582	225	76	2/3
8	S83-322	1412	282	1/3
9	S83-323	1412	282	1/3
10	S83-920	362	1422	3/3



3x K9.5 a60	3x D1.5 b20	6x φ6.3x13 mm e2	8x φ7x28 mm e22	14x φ8x30 mm f1	2x φ10x50 mm f35	22x I2	2x m25\2	2x 80 N m25\6
2x m25\9	2x m32	2x m34	1x 25x25x16\2 mm n110	1x n38\L	1x n38\P	4x φ3.5x13 mm p1	4x φ4x30 mm p21	6x φ3.5x9.5 mm p44
4x φ3.5x15 mm p51	4x φ3.9x9.5 mm p57	2x φ6x60 mm p75	2x φ4x13 mm p93	14x φ1.5x12mm #16 r1	14x r42	2x ø16 s2	4x ø15 s51	1x z1





# 5

